



Air Cleaning Perfection

Cleanroom H13

User's Manual



Important Safety Instructions

About This User's Manual

Congratulations on your purchase of this IQAir® high-performance air cleaning system. Please study this user manual carefully to familiarize yourself with the special features and functions of your IQAir® system and keep it in a safe place for future reference.

Read these instructions before using the appliance:

- Do not use this appliance as sole protection against harmful pollutants.
- Do not immerse the appliance in water or other liquids.
- Always disconnect the power from your air cleaner by unplugging the power cable before adding or removing parts and before cleaning.
- Do not operate this appliance if it has a damaged cord or plug, if the motor fan fails to rotate, if it is not working properly, if it has been dropped or damaged, or dropped into water.
- If the power cord of this appliance should become damaged, it may be replaced with a similar two-pole cord set, as is commonly used for computers and similar appliances.
- Only use this appliance for its intended purpose of air cleaning in non-industrial environments.
- Do not use this appliance in areas with very high concentrations of dusts or powder to prevent the danger of dust explosions.
- Do not use this appliance in explosive areas.
- Do not use attachments or filters not recommended by IQAir®.
- Do not use outdoors.
- Do not obstruct the air inlet and air outlet of the air cleaner.
- Do not place the appliance on a soft surface such as a bed or other soft furnishings.
- Only use this appliance in an upright position.
- Do not place next to a humidifier.
- Keep the power cord away from heated surfaces.
- Save these instructions for future reference.

The IQAir® Group reserves the right to change specifications contained in this document at any time and without prior notice.

Table of Contents

	Page
Important Safety Instructions	2
Chapter 1 – Air Cleaning Systems and Indoor Air Quality	4
1.1 Improving Indoor Air Quality	4
Chapter 2 – Setting Up	5
2.1 Unpacking	5
2.2 Choosing a Suitable Location	6
2.3 Connecting to Power	6
Chapter 3 – The IQAir® System’s Components	7
3.1 Description of Housing Components	7
3.2 Description of Removable Components	8
3.3 How the IQAir® System Works	8
Chapter 4 – Using the Control Panel	9
4.1 Description of Control Panel	9
4.1.1 Description of Control Panel Keys	9
4.2 Control Panel Locking Function	10
4.3 Fan Speed and Air Delivery	10
4.3.1 Regulating Fan Speed	10
4.3.2 Air Exchange Rates in Differently Sized Rooms	11
4.4 Using the Menu Functions	11
4.4.1 Menu Overview	11
4.4.2 Filter Life Monitor	12
4.4.3 Setting the Auto Timer	13
4.4.4 Day of the Week Timer	14
4.4.5 Timer ON/OFF Fan Speed Selection	14
4.4.6 Timer Information in the Control Panel	15
4.4.7 Time & Day Setting	16
4.4.8 Filter Life Reset	16
4.4.9 Changing Airflow Units	17
4.4.10 Language Setting	17
4.4.11 Current Model Setting	17
Chapter 5 – Using the Remote Control	18
5.1 Remote Control Functions	18
5.2 Getting the Best Transmission Results	18
5.3 Placing Batteries in the Remote Control	19
Chapter 6 – Replacing Filters	19
6.1 Location of the Filters	19
6.2 Ordering Replacement Filters	20
6.3 Opening and Closing the Housing	20
6.3.1 Troubleshooting when Closing the Housing	20
6.4 Replacing the Pre-Filter (Filter 1)	20
6.5 Replacing the Gas Phase Filter Cartridges and Post-Filter Sleeves(Filter 2)	21
6.6 Discarding Used Filters	22
Chapter 7 – Maintenance	22
7.1 Cleaning the Housing	22
7.2 Maintenance-Free Fan	22
Chapter 8 – Important Information	23
8.1 Important Guidelines for the Use of IQAir Systems in Critical Environments	23
Chapter 9 – IQAir® Accessories (Optional)	24

Chapter 1 – Air Cleaning Systems and Indoor Air Quality

State-of-the-art filtration technology

The IQAir® Cleanroom utilizes advanced HEPA air filtration technologies to deal with particulate air pollutants typically found in indoor environments. The IQAir® Cleanroom features the following air filtration technologies:

- High-efficiency fine dust filtration
- Cleanroom grade HEPA (high-efficiency particulate air) filtration for ultra-fine particles

1.1 Improving Indoor Air Quality

Air cleaning can play an important role when it comes to improving indoor air quality. However, it should be noted that air cleaning should be used in conjunction with pollution source control and ventilation, wherever possible.

Strategy to improve indoor air quality

To tackle any indoor air quality problem, keep the following three-step strategy in mind:

1. Eliminate or reduce the air pollution source as much as possible. Source control is by far the most effective way to improve indoor air quality, since it sets out to deal with air pollution at the point of origin.
2. Ensure that sufficient fresh air is entering the room from outside. Air cleaners are not a substitution for sufficient ventilation. They are not able to reverse the conversion of oxygen (O₂) into carbon dioxide (CO₂), caused by breathing and combustion processes.
3. Ensure the IQAir® system can clean enough air to cope with your room size. The actual hourly air volume cleaned by the system should be at least double the air volume of your room. If the rate at which pollutants enter the room air is high or the indoor air quality requirements are stringent, the hourly air delivery of the system needs to exceed the room air volume several times. To achieve that level of air turnover, it may be necessary to employ more than one system.

Air Cleaning Results

Although air cleaners may be advertised and sold to be suitable for use in specific indoor environments and to deal with specific indoor air quality problems, the manufacturer and distributors make no claim as to the specific air cleaning results that are achieved under the user's individual operating conditions. The air quality improvements that can be realized with the IQAir® system (as with any air cleaner) in indoor environments depends to a significant degree on circumstantial factors, which are out of the control of the manufacturer or distributors. Important factors which will influence the air quality improvements that can be achieved in an indoor environment with an air cleaner include:

- Type of air pollutants present
- Intensity of the pollutant source(s)
- Pollutant concentration
- Size of the indoor environment (room size)
- Operating speed of the unit
- Number of air cleaners placed in the indoor environment
- Saturation state of the filters in the air cleaner

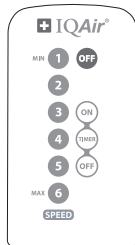
Consult a qualified specialist to determine an effective and comprehensive indoor air quality strategy.

Chapter 2 – Setting Up

2.1 Unpacking

To unpack the IQAir® system, open the top of the box and remove the square styrofoam pad which contains all accessories and product literature. Lay the box on its side, hold the system by the handle and pull it out of the box. Remove the plastic bag and foam belt. Keep the packaging for future transport and service needs.

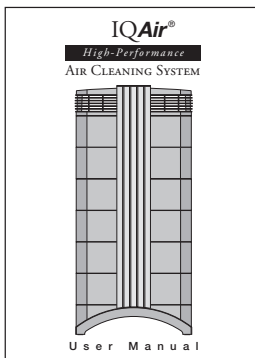
IQAir® Advanced Air Cleaning System



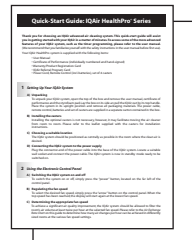
Remote control including battery



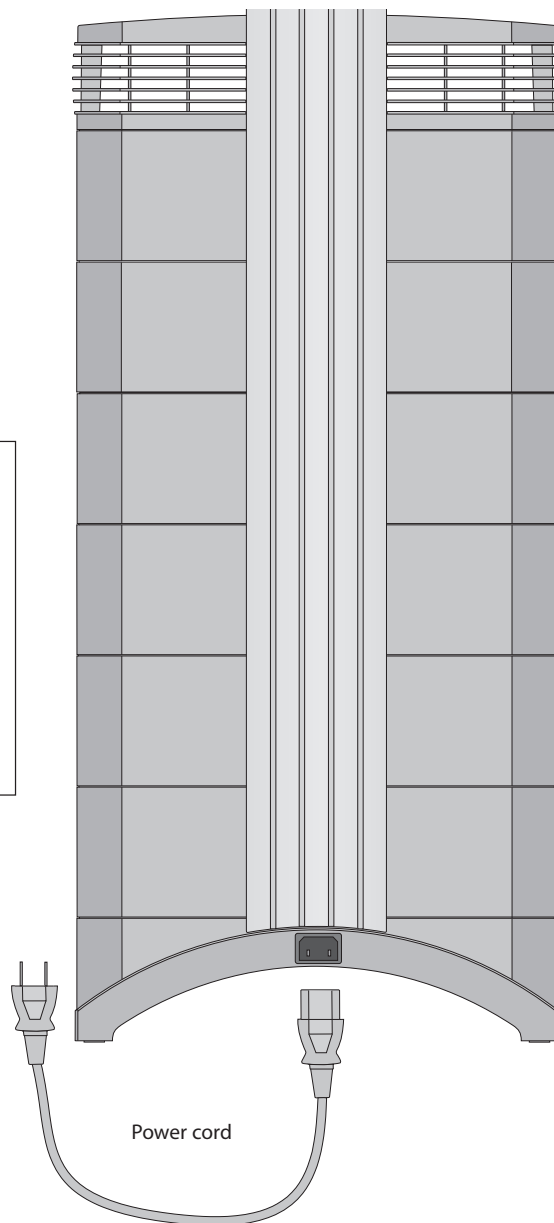
Certificate of Performance



User manual



QuickStart Guide



Power cord

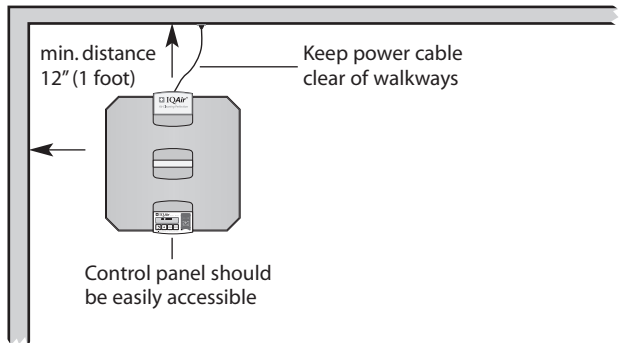
2.2 Choosing a Suitable Location

When choosing a suitable location for the IQAir® system, keep the following considerations in mind:

- Choosing the most suitable room for the system will depend on where you would like the focus of the air cleaning efforts. Two main considerations are the time you spend in a particular room and the location of the main air pollution sources. As a general rule, the closer the system is located to the air pollution source, the better the air cleaning performance in the room.

Although an air cleaning result may be achieved in adjacent rooms, the main air cleaning will take place in the room where the system is located. For the best air cleaning results in adjacent rooms, make sure that doors to these rooms are left wide open.

- For best performance, the system should be positioned at least 12 inches (1 foot) away from the nearest vertical surface, such as a wall or a cupboard. In general, the more centrally the system is positioned, the better the performance.
- Position the system close to a power outlet and make sure that the power cable is positioned in a way that it does not present an obstacle that could be tripped over.
- Make sure that the system is positioned in such a way that the control panel is easily accessible.

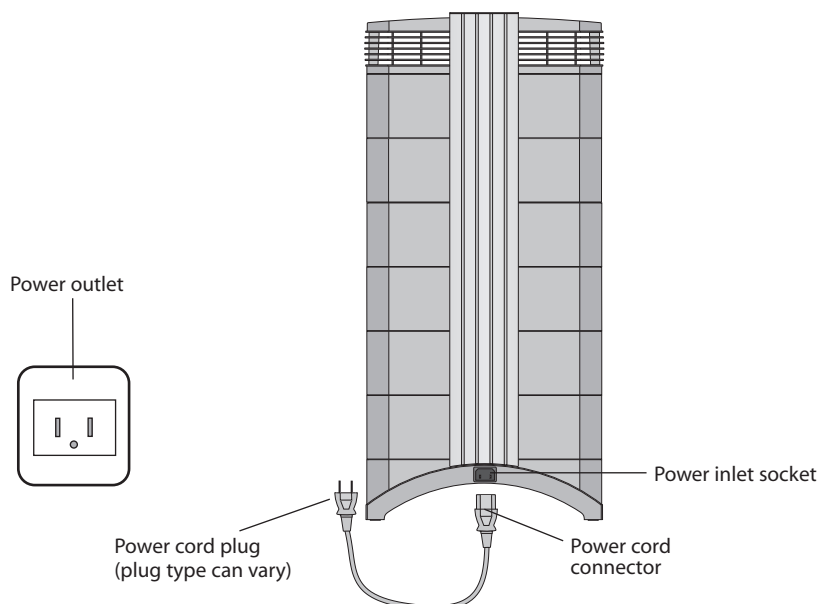


2.3 Connecting to Power

1. Plug the connector end of the power cord into the recessed power inlet socket on the back of the system.
2. Plug the other end of the power cord into a power outlet or power strip.

Important: The only way to disconnect power completely is to unplug the power cord.

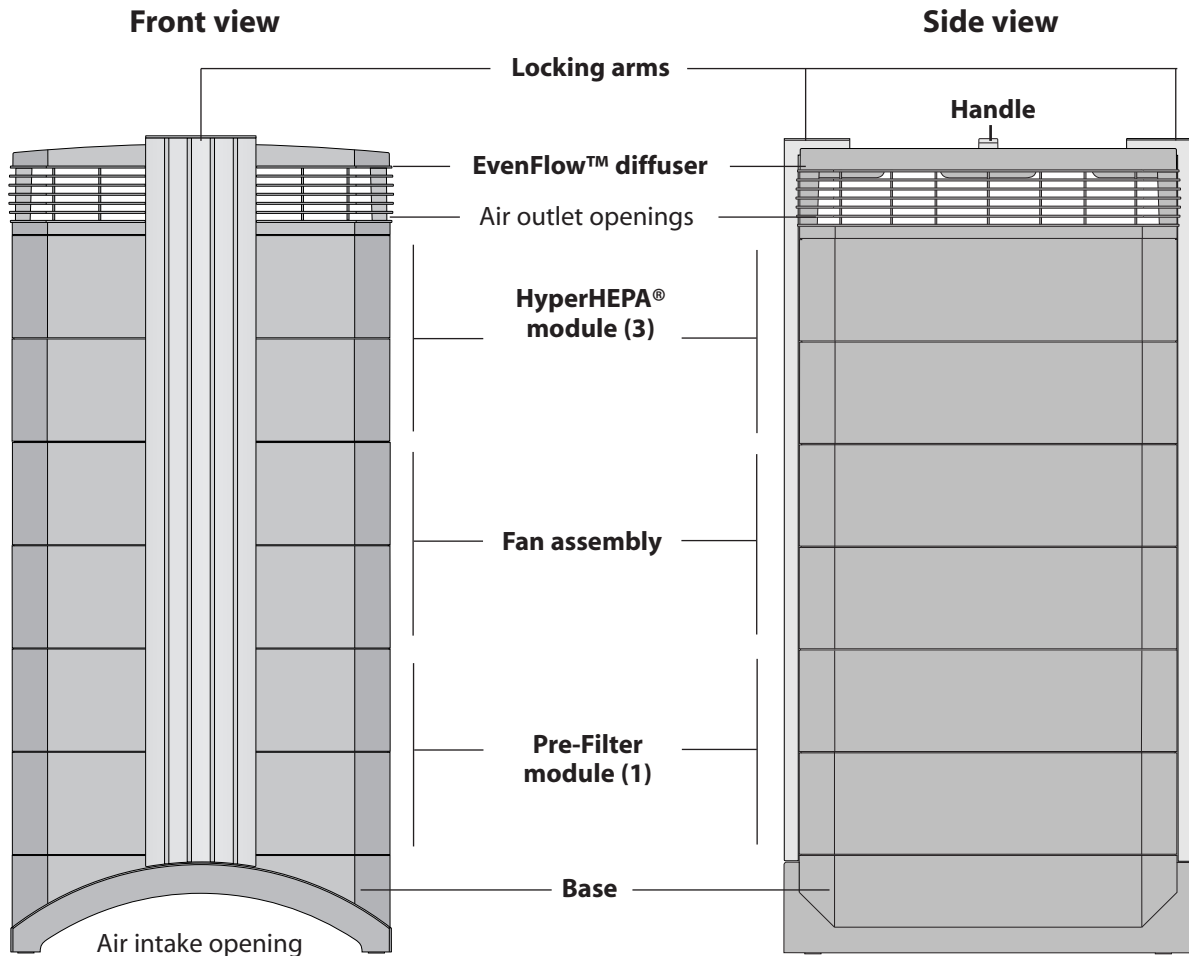
Do not use the IQAir® system when the power cord becomes damaged. The power cord may be replaced with an approved cord with a two-pole plug. These power cords are commonly used for computers and similar appliances.



Chapter 3 – The IQAir® System's Components

3.1 Description of Housing Components

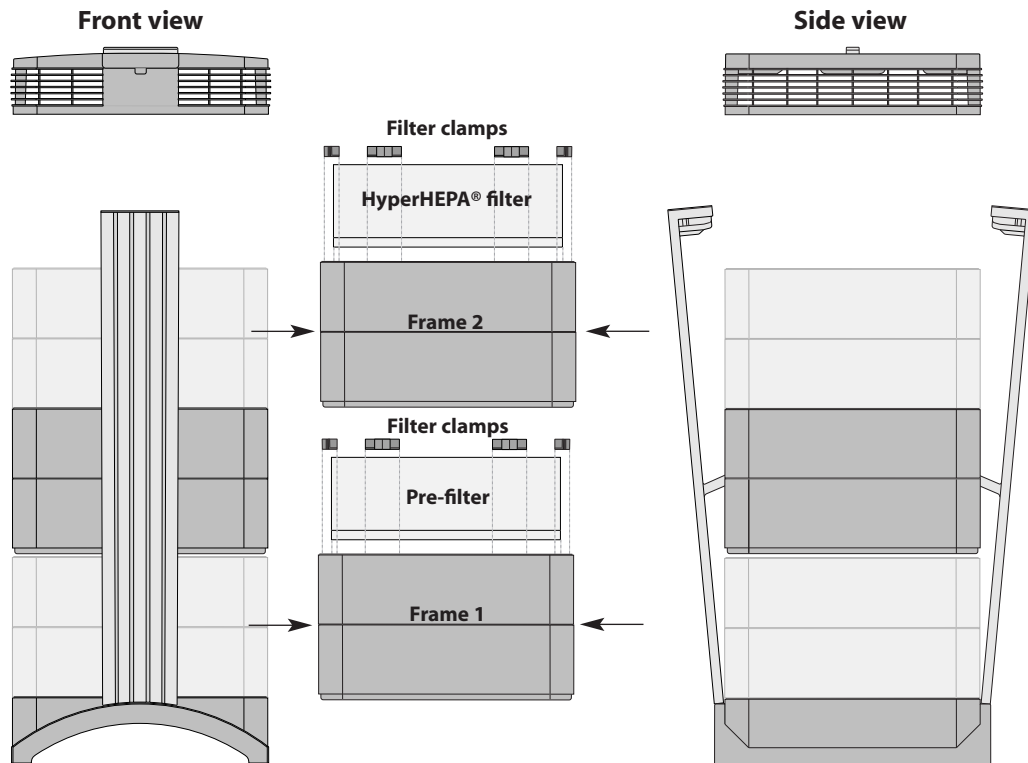
The IQAir® system features a modular tower design in which all important filtration and air moving components are positioned vertically in-line, i.e. stacked on top of another. Air is drawn into the system at the base, and passes through several filter stages to be returned to the room via the diffuser on top of the system. The housing modules are held together by two locking arms.



- The **base**, with its arched design, features air intake openings on two sides.
- The **Pre-Filter module 1** consists of frame 1 and the particulate Pre-Filter which is fixed inside the frame by four filter clamps.
- The **fan assembly** comprises two housing modules with the centrifugal fan inside.
- The **HEPA filter module** consists of frame 2 and the HEPA filter, which is fixed inside the frame by four filter clamps.
- The **EvenFlow™ diffuser** contains omni-directional air outlet openings.
- The **handle** on top of the diffuser is designed for carrying the IQAir® system.
- The **locking arms** hold the housing elements together. When opened, the locking arms allow easy access to all filters.

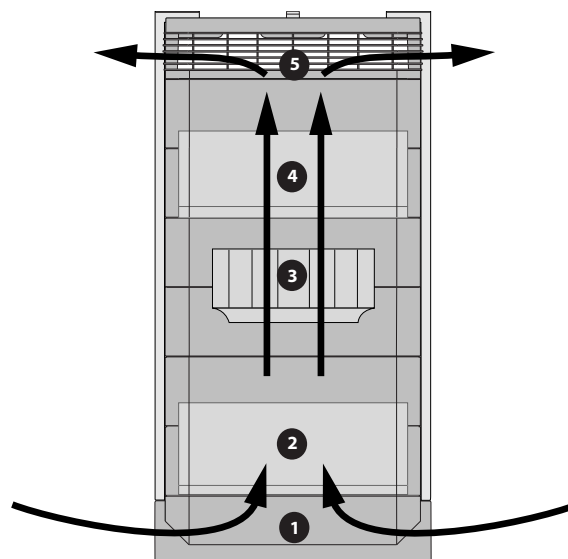
3.2 Description of Removable Components

The IQAir® system features a modular housing design which enables the easy replacement of all filter elements in a matter of seconds. The illustration below shows all the removable components. For more details on how to replace filters, please refer to Chapter 6 – Replacing Filters.



3.3 How the IQAir® System Works

- 1 Room air is drawn into the system via two arched openings at the base.
- 2 The air is drawn in through a two-stage high-efficiency pre-filter that already removes most pollution particles.
- 3 At the heart of the system, sandwiched between the filters, is a powerful centrifugal fan which generates the airflow.



- 4 The air is pushed through the tightly pleated high-efficiency particulate HyperHEPA® filter.
- 5 Low turbulence, low velocity air is returned to the room via the EvenFlow™ diffuser.

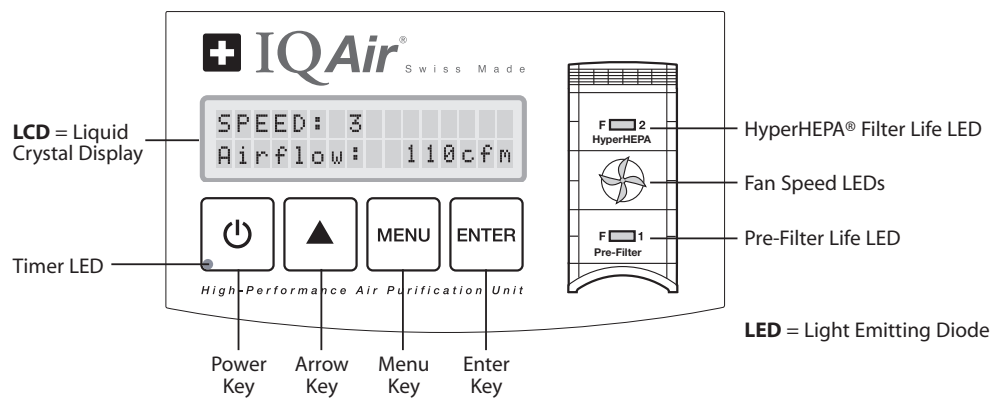
Chapter 4 – Using the Control Panel

The IQAir® system is operated and controlled via the electronic control panel which is located at the top of the front locking arm.

Several operations can be completed via the electronic control panel:

- Switching the system on and off
- Controlling the fan speed and corresponding air delivery rate
- Checking the remaining filter life of the individual filters
- Setting the automatic timer
- Resetting the Filter Life Monitor after replacing a filter
- Locking the control panel to avoid tampering with the system's settings
- Choosing the desired display language

4.1 Description of Control Panels



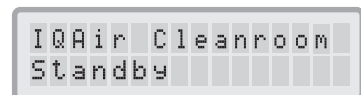
LCD Display

The 2-line LCD displays important information about the system's settings.

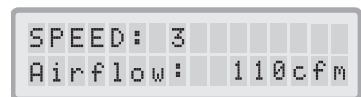
In standby mode, the first line shows the current day and time. If the timer is activated, the programmed start and stop times will be displayed on the second line.

If the IQAir® system is on, the first line displays the current speed setting and the second line displays the corresponding air delivery rate of the system.

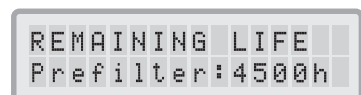
By pressing the Menu key, ten active menu functions may be accessed. These functions are explained in detail in this chapter.



Main window: Standby mode



Main window: On mode



Menu window: Filter Life Monitor

4.1.1 Description of Control Panel Keys

Power Key

The **Power** key switches the IQAir® system on and off. When the system is switched off, the fan stops to run, but the system will remain connected to the power supply (standby mode). The standby mode allows for automatic timer start-up. In the standby mode, the different menu functions can be accessed.

Tip: In a menu window, the **Power** key also serves as a quick exit key to return to the main display window.

Arrow (▲) Key

When the system is switched on, the ▲ key allows the adjustment of the fan speed. In the enter mode, indicated by the appearance of a black flashing cursor (see "Enter Key" below), the ▲ key is used to modify the selected setting in the display window. Confirmed with the **Enter** key, the enter mode is automatically terminated. The LCD will then display the current menu settings for another 15 seconds before reverting to the main window display.

 **Menu Key**

The **Menu** key allows access to any one of eleven menus. Pressing the **Menu** key once allows access to the first menu function. Pressing the **Menu** key twice allows access to the second menu function, and so on. If no key is pressed for 15 seconds in a menu window, the display will revert to the main display window. **Tip:** If you are in a menu window and would like to remain in the window for more than 15 seconds, keep the ▲ key depressed.

 **Enter Key**

The **Enter** key, if pressed for 3 seconds, allows the modification of a setting. The enter mode is indicated by a flashing cursor on the modifiable setting. Pressing the **Enter** key again will save any entry and move the cursor to the next modifiable item in the display window. When the last modifiable choice in a window is confirmed with the **Enter** key, the enter mode is automatically terminated and the new settings are saved.

Filter Life LEDs

Whenever the system is on, the colour of the filter life LEDs (light emitting diodes) indicates the state of the individual filters in the system. **Note:** The positions of the filter life LEDs on the control panel correspond to the actual positions of the filters within the system.

The filter life indicator LEDs signal four possible stages in the life of the filter:

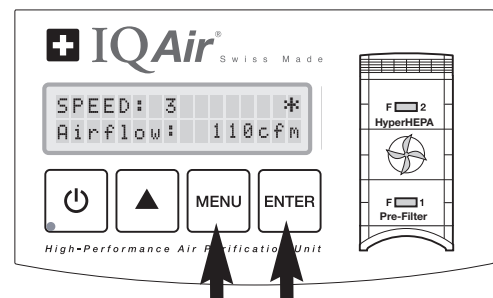
- 1. Green:** The filter is still within 80% of its estimated life span.
- 2. Orange:** The filter is approaching the last 20% of its estimated life span.
- 3. Red:** The filter has reached the end of its estimated life span.
- 4. Red blinking:** The filter has passed its estimated life span and should be replaced immediately. The IQAir® system's effectiveness is likely to have been reduced dramatically, either due to a reduction in airflow (particle filters are clogged) or a reduction in filter efficiency (gas phase filter is saturated).

Fan Speed LEDs

These LEDs simulate the fan speed through the frequency of their rotation. The faster the rotation of the fan speed LEDs, the faster the actual fan speed of the unit.

4.2 Control Panel Locking Function

The control panel keys can be locked to avoid tampering with the settings. To lock or unlock the control panel keys, both the **Menu** and the **Enter** key have to be pressed down simultaneously for 3 seconds. The activated locking function is indicated with a star symbol in the control panel display. The locking function is cancelled by disrupting the power supply.



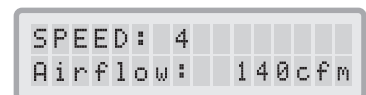
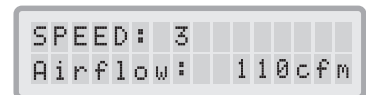
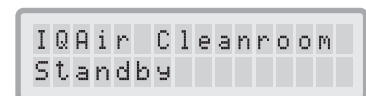
4.3 Fan Speed and Air Delivery

The IQAir® system can be set to run at six different fan speeds, which correspond to six different airflow rates. Speed 1 is the lowest speed. Speed 6 the highest fan speed. The higher the fan speed, the more room air will be filtered by the system. The high fan speed settings provide additional air cleaning power to deal with situations of elevated pollution levels.

To allow better evaluation of the system's performance at different fan speeds, the standard display window shows not only the fan speed, but also the air delivery rate (airflow). The displayed airflow is factory preset and is not measured by the system itself.

4.3.1 Regulating Fan Speed

- 1. When the IQAir® system is switched off (standby mode), the first line of the LCD display shows the model name. To switch the system on, press the **Power** key on the far left of the control panel.
- 2. The LCD now displays the fan speed and the corresponding airflow rate. **Note:** The system starts at the fan speed at which it was running when it was last used.
- 3. To change the fan speed, press the ▲ key.



4.3.2 Air Exchange Rates in Differently Sized Rooms

Any air cleaner can only be effective if it filters a sufficient amount of air in an indoor environment. For general air cleaning purposes, the IQAir® system should be able to filter the room air volume at least twice every hour on the set fan speed to achieve a significant air quality improvement. If the intensity of the pollution source is high or a high degree of purification is needed, more air changes may become necessary. In order to achieve the desired number of air changes, more than one air cleaner may be required.

The number of air changes that are necessary to attain a certain level of indoor air quality will depend on a variety of factors, including:

- **intensity of air pollution source:** The higher the rate at which air pollutants are produced or enter the indoor environment, the higher the air cleaning rate in the room needs to be.
- **filtration efficiency for specific air pollutants:** The lower the filtration efficiency for certain pollutants, the more air changes are required to reduce these pollutants.
- **desired improvement in air quality:** The higher the desired improvement in air quality, the more air changes are required.

The number of ACH produced by an IQAir® system in a specific environment are calculated as follows:

$$\frac{\text{hourly air delivery of the IQAir® system (cfm)}}{\text{air volume of the room (cu.ft.)}} = \text{air changes per hour (ACH)}$$

Note: The air delivery rates of the IQAir® system at the various fan speeds settings are listed on the “Technical Specifications” sheet.

Example calculation: A room with the dimensions of 13 x 14 x 8.5 ft. has an air volume of 1,547 cu.ft. With an air delivery rate of 140 cfm, the room air volume will be circulated over 5.4 times per hour by the IQAir® system (140 cfm = 8,400 cu.ft/h; 8,400 cu.ft/h ÷ 1,547 cu.ft = 5.43 ACH).

4.4 Using the Menu Functions

The IQAir® control panel offers a choice of several menu options which allow access to the advanced features of the system. In total there are ten active menu functions. The functions can be accessed in standby or running mode.

4.3.1 Menu Overview

Pressing the **Menu** key accesses the menu functions in the following order:

1. Filter Life Monitor

Allows the viewing of the remaining filter life of the individual filters within the system.

```
REMAINING LIFE
Prefilter: 400h
```

2. Setting the Timer ON period

Allows to activate the timer and set the Timer ON period.

```
AUTO TIMER: OFF
00:00 → 00:00
```

3. Automatic Timer

Allows to deactivate the Timer ON period on certain days of the week.

```
Mo Tu W T F S Su
* * * * * *
```

4. Timer ON Speed Selection

Allows to set the fan speed for the Timer ON period.

```
Timer ON Speed:
4
```

5. Timer OFF Speed Selection

Allows to set the fan speed outside the Timer ON period.

```
Timer OFF Speed:
0
```

6. Time & Day Setting

Allows to set the current time and day setting.

```
TIME 00:00
DAY Mo
```

7. Filter Life Reset

Allows the resetting of the filter life counter after replacing a filter.



8. Airflow Units

Allows to switch the airflow units between cfm (cubic feet per minute) and m3/h (cubic meters per hour).



9. Language

Allows to switch the display language.



11. Service Access

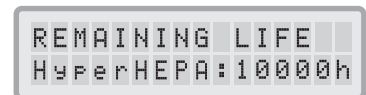
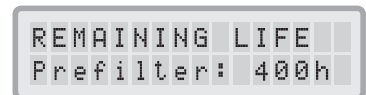
This menu is designed for factory access only.



4.4.2 Filter Life Monitor

The IQAir® system is equipped with an electronic Filter Life Monitor that calculates the remaining life of the system’s filter elements. Thanks to the Filter Life Monitor, the user does not have to guess when filters need to be replaced or replace them at fixed intervals (which rarely correspond to the actual amount of use). The Filter Life Monitor keeps over the most important factors affecting the life of the individual filter elements. The Filter Life Monitor display shows the remaining life of each individual filter at any given time.

1. To reach the Filter Life Monitor display from the main display window, press the **Menu** key once. The remaining life of the Pre-Filter will appear.
2. Press the **▲** key to view the remaining life of the other filters in the system.
3. The remaining life of the filter elements is expressed in hours of operation at the current speed setting.



How the Filter Life Monitor Works

The basis for the calculation of the remaining filter life is the already elapsed operation time at the set fan speed. This input is compared with an internal memory bank which contains information about the different filters’ lives under specific conditions of use.

The Filter Life Monitor makes a calculation of the remaining filter life, taking into account not only past use of the system, but also likely future use. As reference for future use, the Filter Life Monitor uses the fan speed which is set at the time.

The relationship between the current fan speed and the remaining filter life displayed can be expressed as follows:

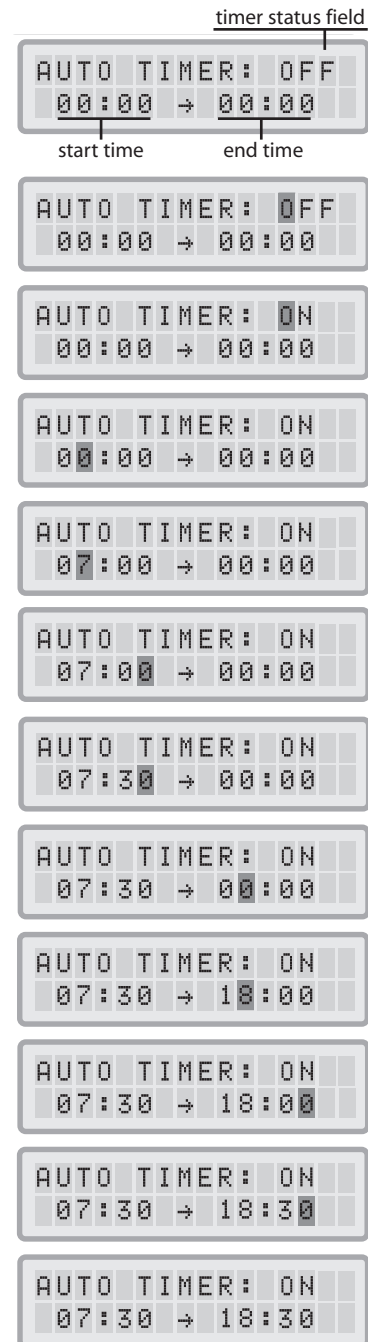
- The higher the current fan speed setting, the shorter the displayed remaining filter life.

4.4.3 Setting the Auto Timer

The Auto Timer Menu allows the setting of a Timer ON period, which is defined by a start time and an end time. For the Timer ON period, a fan speed can be selected in the Timer ON Fan Speed Menu (see 4.4.5). The time outside the Timer ON period is defined as the Timer OFF period for which the air cleaner can be switched off or for which a different fan speed can be selected in the Timer OFF Fan Speed Menu (see 4.4.5).

The timer status field indicates whether the timer function is enabled or disabled. The timer status field allows to quickly enable/disable the timer e.g. for holiday.

1. To reach the Auto Timer Menu from the main display window, press the **Menu** key twice.
2. Press and hold the **Enter** key until the cursor starts to flash.
3. Press the **▲** key once to activate the timer.
Note: If the start and stop time are identical, the timer cannot be activated.
4. Press the **Enter** key to save the timer status setting and to proceed to the start time.
5. Select the desired start hour by pressing the **▲** key.
6. Press the **Enter** key to save the start hour and to proceed to the minute setting.
7. Select the desired start minute setting by pressing the **▲** key.
Note: The minute settings can only be set in five minute increments.
8. Press the **Enter** key to save the start time and to proceed to the stop time setting.
9. Select the desired stop hour by pressing the **▲** key.
10. Press the **Enter** key to save the stop hour and to proceed to the minute setting.
11. Select the desired minute setting by pressing the **▲** key.
12. Press the **Enter** key to save the minute setting and to exit the enter mode.

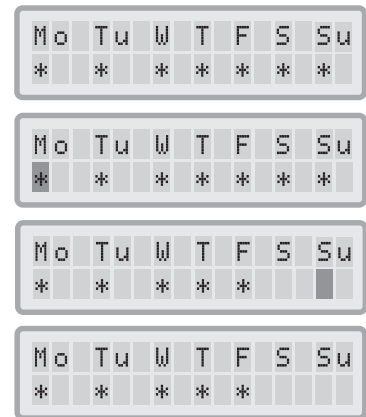


4.4.4 Day-of-the-Week Timer

The Day-of-the-Week Timer allows the deactivation of the Timer ON period on certain days of the week. In its default setting the Timer ON period is enabled on all seven days of the week. This is indicated by stars below the abbreviations of the days. On days, without a star the air cleaner will be running at the speed which is set in the Timer OFF Speed Selection Menu (see 4.4.5)

Note: At least one day of the week must be enabled with a star to be able to run the timer. If the timer is disabled on all days of the week, the timer status field in the Auto Timer Menu will switch to OFF and the timer will be disabled.

1. To reach the Weekly Timer Menu from the main display window, press the **Menu** key three times.
2. Press and hold the **Enter** key until the cursor appears.
3. Press the **▲** key to activate (star) or deactivate (no star) the Timer ON period on a particular day. Press the **Enter** key to proceed to the next day.
4. Repeat the same procedure until the timer has been activated/deactivated on the desired days. The final **Enter** command exits the enter mode.



4.4.5 Timer ON/OFF Fan Speed Selection Menu

The Timer ON/OFF Fan Speed Selection Menus allow the setting of two different fan speeds for two different time periods (referred to as Timer ON period and Timer OFF period). For the Timer ON period you can select fan speeds 1 to 6. For the Timer OFF period, you can select fan speeds 0 (OFF) to 6.





1. To reach the Timer ON Fan Speed Selection Menu from the main display window, press the **Menu** key four times.
2. Press and hold the **Enter** key until the black cursor appears.
3. Press the **▲** key to select the desired speed for the Timer ON period.
4. Press the **Enter** key to confirm the chosen speed and to exit the enter mode.
5. To set the Timer OFF period fan speed, press the **Menu** key one more time. Press and hold the **Enter** key until the black cursor appears and adjust the Timer OFF fan speed as above. The final **Enter** command saves the selection and exits the enter mode.



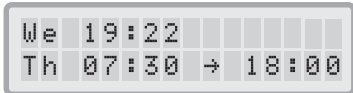

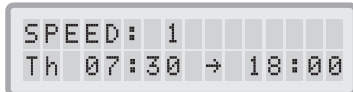

4.4.6 Timer Information in the Control Panel

The IQAir® control panel shows the timer status without the need to access the Timer related menus.

Timer Deactivated

<p>System on Standby: The first line shows the model name and the second line shows the word “Standby”. The Timer LED is red.</p>	<p>Display’s Main Window</p>  <p>• System is on standby • Timer is deactivated</p>	<p>Timer LED</p>  <p>red</p>
<p>System Running: The first line shows the fan speed and the second line shows the airflow. The Timer LED is off.</p>	<p>Display’s Main Window</p>  <p>• System is running • Timer is deactivated</p>	<p>Timer LED</p>  <p>off</p>

Timer Activated

<p>System on Standby: The first line shows the current day & time and the second line shows the next time the system will turn on. The Timer LED is green.</p>	<p>Display’s Main Window</p>  <p>• System is on standby • Timer activated</p>	<p>Timer LED</p>  <p>green</p>
<p>System Running: The first line shows the fan speed and the second line shows when the system will switch to the Timer OFF period. The Timer LED is green.</p>	<p>Display’s Main Window</p>  <p>• System is running • Timer is activated</p>	<p>Timer LED</p>  <p>green</p>

4.4.7 Time & Day Setting

In order to use the timer function, the current day and time must be set. Once the current day and time are set, they will only need to be reset if the unit is disconnected from the power supply for more than an hour.

1. To access the Time & Day function from the main display window, press the **Menu** key six times.
2. Press and hold the **Enter** key until the cursor starts to flash.
3. Select the hour by pressing the **▲** key.
4. Press the **Enter** key to save the hour setting and to proceed to the minute setting.
5. Select the minutes by pressing the **▲** key.
6. Press the **Enter** key to save the minute setting and to proceed to the day setting.
7. Select the day of the week by pressing the **▲** key.
8. Press the **Enter** key to save the day setting and to exit the enter mode.
9. Press the **Power** key to return to the main display.
Note: The display will automatically return to the main window if no key is pressed for 15 seconds.

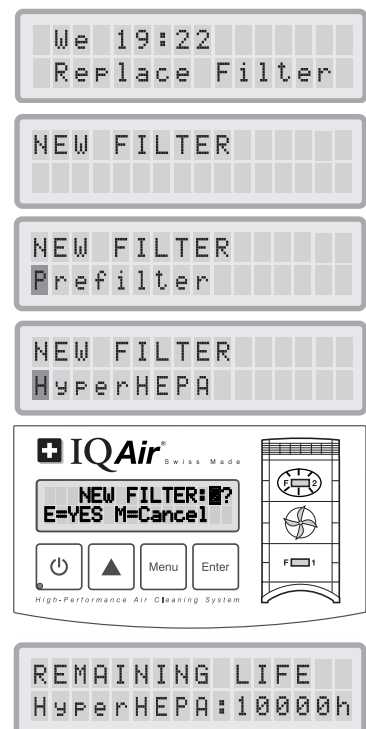


4.4.8 Filter Life Reset

The Filter Life Reset function allows the Filter Life Monitor to be reset after a new filter has been inserted. As a result, the appropriate filter life LED on the control panel will be reset to green and the hour count in the Filter Life Reset display will be reset to the full life span of the new filter.

Note: Resetting the Filter Life Monitor will also cancel the “Replace Filter” warning from the main display window.

1. To reach the Filter Life Reset function from the main display window, press the **Menu** key seven times.
2. Press and hold the **Enter** key until the flashing cursor appears. The flashing filter refers to the filter and its position within the system.
3. Press the **▲** key to select the filter that has been replaced.
4. Press the **Enter** key to confirm that the selected filter has been replaced. The Filter Life LED for the appropriate filter is now flashing red.
5. To safeguard against inadvertently resetting the life of the wrong filter, the selection needs to be reconfirmed. To reconfirm the filter change and exit the Filter Life Reset display window, press the **Enter** key.
Note: If the wrong filter has been selected, or if you wish to exit the enter mode, press the **Menu** key. This leaves the Filter Life Reset unaffected.
6. Upon successful reset of the filter life, the new remaining filter life (taking the currently selected fan speed into account) will be displayed.



4.4.9 Changing the Airflow Units

1. You can change the air volume units which are displayed from cubic feet per minute (cfm) to cubic meters per hour (m³/h), or vice versa, by pressing the **Enter** key for three seconds either when the unit is switched on or in standby mode.
2. When the first character of the airflow units starts to flash, press the ▲ key once to change the units.
3. Press the **Enter** key to confirm the air volume unit change. Until modified again, the airflow rate will now be displayed in the newly selected units. N.B. The air delivery (airflow units) displayed in this manual are examples only and will vary according to model.

Airflow Units
cfm

Airflow Units
cfm

Airflow Units
m³/h

Airflow Units
m³/h

4.4.10 Language Setting

The Language Menu Display allows to change the IQAir® system's display language. The languages from which you can choose will depend on the model and the country of purchase.

1. To reach the Language Menu Display from the main display window, press the **Menu** key eight times. The current display language is displayed.
2. To change the display language, press and hold the **Enter** key until the cursor starts to flash.
3. Use the ▲ key to scroll through the display language options.
4. Press the **Enter** key to save the desired display language and to exit the enter mode.

LANGUAGE
Enelish

LANGUAGE
Enelish

IDIOMA
Español

IDIOMA
Español

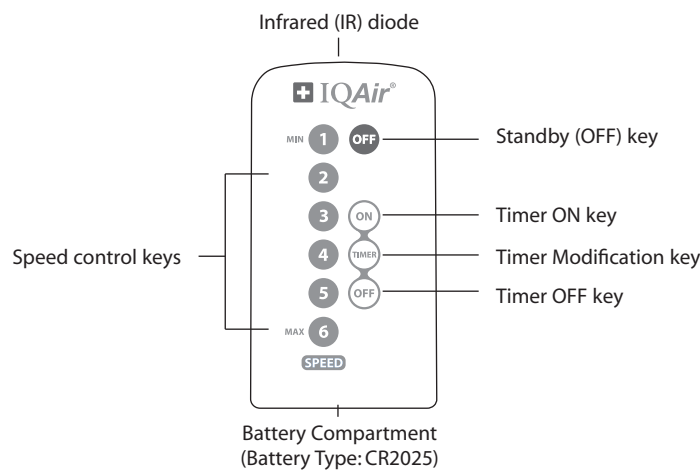
Chapter 5 – Using the Remote Control

In addition to the control panel, the IQAir® system can be controlled by using the handheld remote control.

The remote control can be used to:

- Switch the system on and off
- Select the desired fan speed
- Activate and deactivate the timer function (Note: Start and stop times can only be set and changed directly on the system's control panel)

5.1 Description of Remote Control Elements and Functions



Switching the System On and Off

To switch the IQAir® system on with the remote control, press any one of the **speed control** keys marked with 1 through 6. To switch the IQAir® system off, press the **OFF** key.

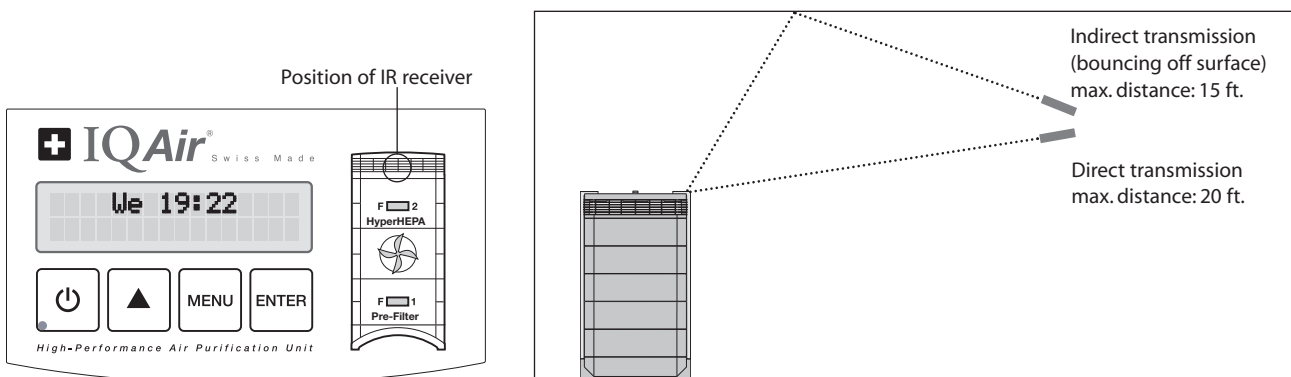
Switching the Timer On and Off

If start and stop times have been set in the Daily Timer Menu, it is possible to switch the timer on and off with the remote control. To switch the timer on, press the **Timer Modification** key and then the **Timer ON** key.

To switch the timer off, press the **Timer Modification** key and then the **Timer OFF** key.

5.2 Getting the Best Transmission Results

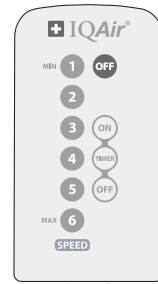
The IR (infrared) receiver of the IQAir® system is positioned underneath the control panel cover. In order to get the best signal transmission, the remote control should be pointed at the control panel when a remote command is being carried out. Alternatively, the remote control should be pointed at a surface like a wall, ceiling or window, from which the signal can bounce off in a right angle (90°) to the electronic control panel.



5.3 Replacing the Battery of the Remote Control

When the battery becomes weak, the transmission results will deteriorate and the battery should be replaced. The remote control requires one CR2025 battery. The battery compartment is located at the bottom end of the remote control.

To open the battery compartment, press the small lever to the side and slide the battery compartment out. Remove the used battery and insert the new battery.



Battery Compartment
(Battery Type: CR2025)



Chapter 6 – Replacing Filters

The IQAir® system is equipped with a Filter Life Monitor which is designed to assist you in determining when a filter element needs to be replaced. If the air pollution in your environment is very high, there is a possibility that the filter elements may not be effective throughout the displayed life time and may have to be replaced earlier than indicated by the Filter Life Monitor.

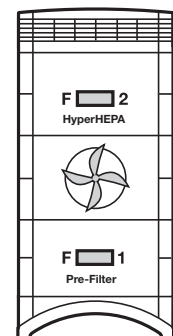
For this reason, it is important to look out for the signs of used up filters and replace filter earlier if necessary. The main signs are:

- Increased operating noise
- Decreased airflow
- Clogged filter elements
- Increased odor presence

6.1 Location of the Filter Elements

The IQAir® system features a modular housing design which enables easy replacement of all filter elements in a matter of minutes. The illustration of the IQAir® system on the control panel shows the positions of the individual filter elements. These positions correspond to the actual positions of the filter elements within the system.

Filter Positions as shown
on the Control Panel



6.2 Ordering Replacement Filters

To order replacement filters, please contact your local IQAir authorized dealer. To locate the dealer nearest to you, call 1-877-715-4-AIR (247) or visit www.iqair.us.

Please order your replacement filter elements by quoting the appropriate article numbers stated below:

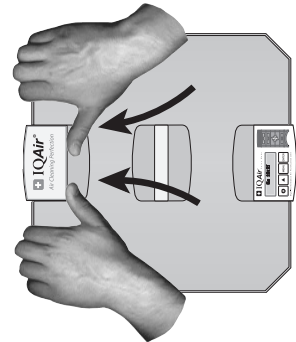
Pre-filter
HyperHEPA® filter

Art. No. 102 14 10 00
Art. No. 102 16 13 00

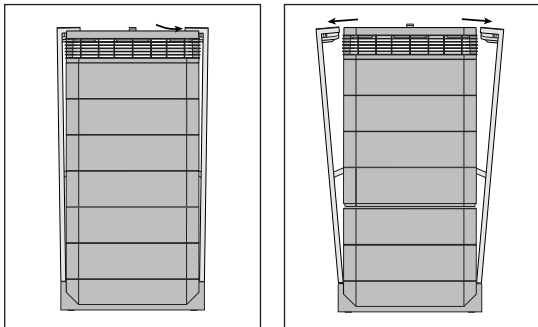
6.3 Opening and Closing the Housing

The stacked housing elements are held together by two locking arms that hook into the diffuser. To open the system, follow the steps below.

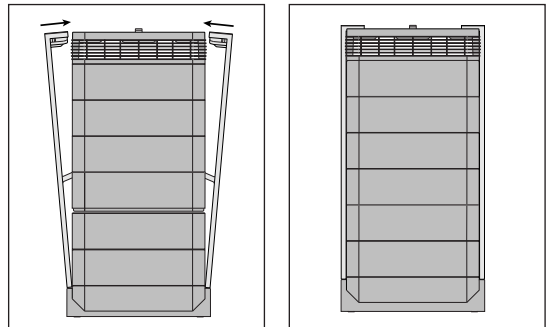
1. Disconnect the IQAir® system from the power supply before attempting to open the system.
2. Press the first locking arm outward, using both thumbs as shown. Press just hard enough to release the arm from its snap-in position in the diffuser. Disengage the other arm in the same way.
3. Pull both locking arms evenly outwards until they snap into place and remain open. Access to all filter elements is now possible (to change a specific filter, refer to the appropriate section below).
4. To close the housing, simply push the locking arms inwards simultaneously until they snap back into the housing.



Opening

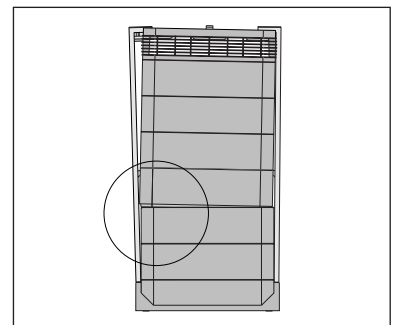


Closing

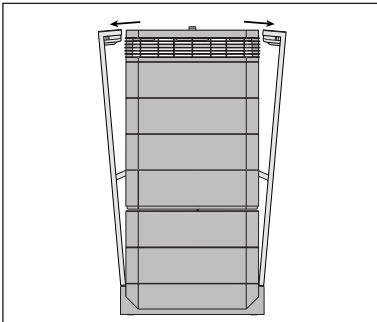


6.3.1 Troubleshooting when Closing the Housing

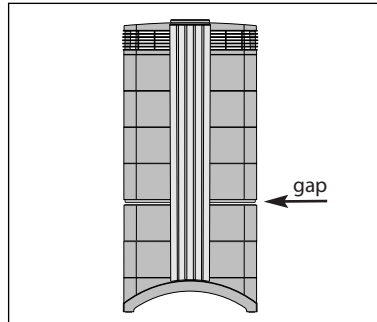
If the IQAir® system does not close properly, the upper part of the system may be offset against the lower part. To solve this problem, simply open both locking arms again and push both locking arms in simultaneously.



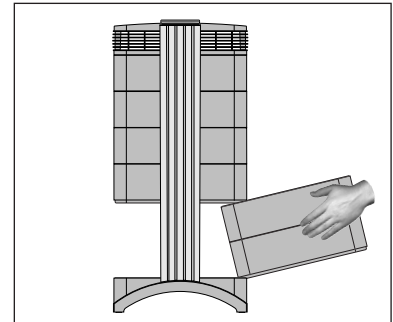
6.4 Replacing the Pre-Filter (Filter 1)



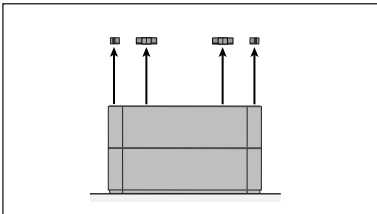
1. Open the locking arms, making sure they are fully extended outward. For details, refer to the section 6.3.



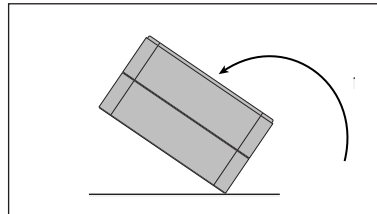
2. Opening the arms will cause the upper part of the housing to separate from frame 1. This will leave a narrow gap.



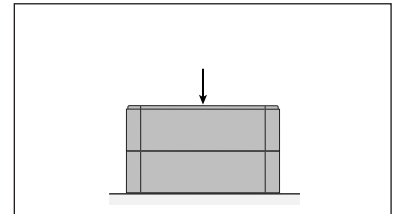
3. Place your hands on opposite sides of frame 1, lift it slightly and pull it out slowly. As the frame is withdrawn from the system, tilt it progressively upward to remove it completely.



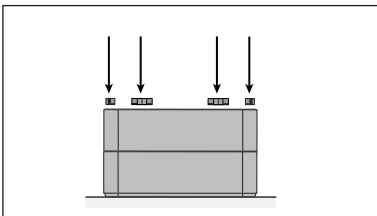
4. Remove the filter clamps that secure the filter in the frame by pulling these out of the sliding grooves.



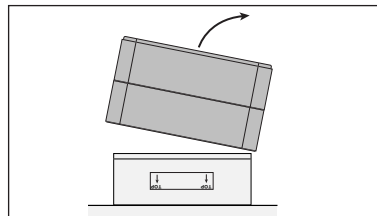
5. Turn the frame upside down.



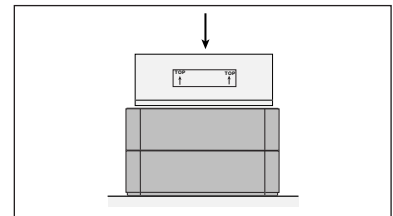
6. With the palm of the hand, press down on the filter and loosen the frame.



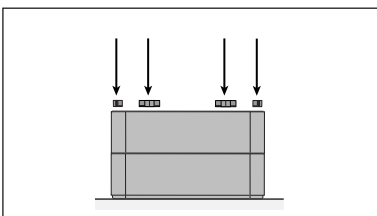
7. Lift the frame from the filter.



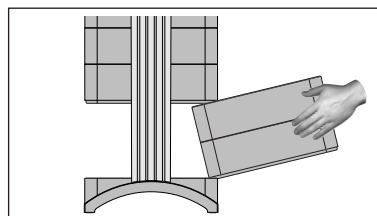
8. Dispose of the used filter by placing it into the plastic bag in which the new filter is supplied.*



9. Turn the frame around and insert the new filter. Ensure that the arrows on the filter label point upward.



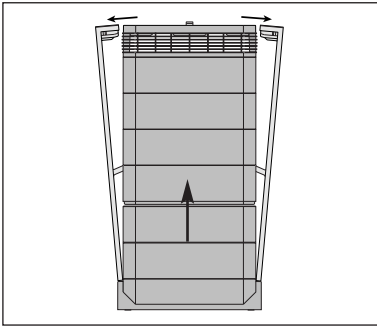
10. Make sure that the filter is inserted all the way into the frame. Insert the clamps into the sliding grooves inside the frame and push them down.



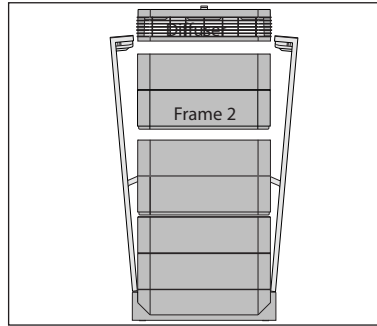
11. Put the frame back into the housing. For details on how to close the housing, please refer to section 6.3.

*** If known harmful substances are filtered, please refer to local regulations or laws for proper filter disposal.**

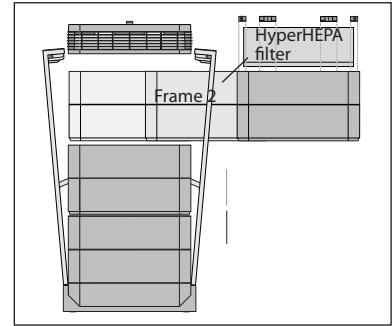
6.5 Replacing the HyperHEPA® Filter (Filter 2)



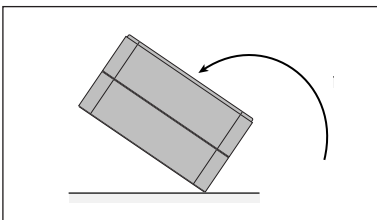
1. Open the locking arms, making sure they are fully extended outward. For details, refer to section 6.3.



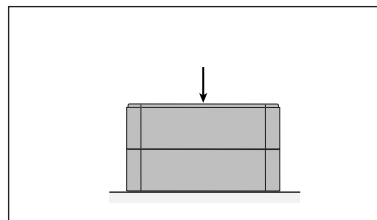
2. Opening the arms will release the top housing modules. Removing the diffuser will reveal the HyperHEPA® filter inside Frame 2.



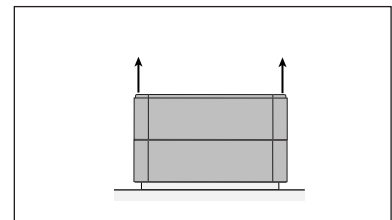
3. Remove Frame 2 containing the HyperHEPA® filter.



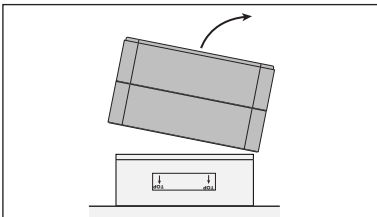
4. Turn the frame upside down.



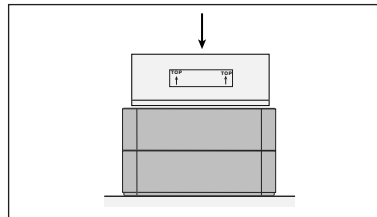
5. With the palm of the hand, press down on the filter and loosen the frame.



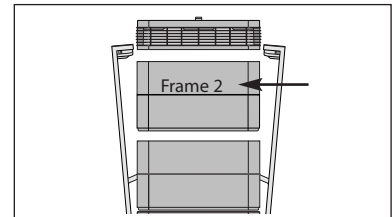
6. Lift the frame from the filter.



7. Dispose of the used filter by placing it into the plastic bag in which the new filter is supplied (see section 6.7).



8. Turn the frame around and insert the new filter. Ensure that the arrows on the filter label point upward.



9. Put frame 2 back into the housing and reposition the diffuser. For closing refer to section 6.3.

6.6 Discarding Used Filters

Used filter elements can normally be put into the regular household trash for disposal. If the system may have been exposed to potentially hazardous substances, the filters may have to be disposed of as hazardous waste. Please refer to local regulations and laws.

Chapter 7 – Maintenance

7.1 Cleaning the Housing

- Unplug the IQAir® system before attempting to clean it.
- Use a soft and clean cloth for cleaning.
- For water soluble stains, use a window cleaning fluid.
- For the removal of tough, non-water soluble stains, use a silicon spray.
- Do **not** use any solvents or any organic cleaning fluids.

7.2 Maintenance-Free Fan

The IQAir® system is equipped with a maintenance-free fan motor.

Chapter 8 – Important Information

8.1 Important Guidelines for the Use of IQAir System in Critical Environments

Due to the high performance of IQAir systems, various IQAir models can be used in environments where clean air is of critical importance to human health or production processes. Such environments include health-care facilities, research laboratories and cleanrooms. Wherever IQAir systems are used for the filtration of particulate contaminants in such critical environments, special care must be taken during the installation and maintenance of the systems.

The following guidelines relate to the use of IQAir devices for airborne infection control purposes in health-care environments. These guidelines must be followed whenever IQAir systems are used for the filtration of potentially harmful substances, or if a high degree of air cleanliness is of interest.

Maintenance and Filter Replacement

To monitor IQAir system performance, a scheduled maintenance routine must be devised. This maintenance routine must be performed regularly and should include the following procedures:

Testing Filtration Efficiency

This test must be performed with appropriate laser particle counters (e.g. ParticleScan) after the initial installation and every time a filter is replaced or when the system is relocated. The test must be repeated every 6 months. This is essential when IQAir systems are used to filter highly infectious microorganisms (e.g. M. tuberculosis) or to protect immunocompromised patients from certain airborne contaminants (e.g. aspergillus spores).

Monitoring Filter Life

Filter life must be monitored by periodically checking the filter life indicator LEDs and by accessing the filter life monitor on the IQAir control panel. A visual inspection of the filter elements should also be made from time to time.

Safe Replacement of Filters

Although IQAir systems are specially designed to prevent leakage of contaminated air and to retain filtered particulates within the filter elements, inappropriate maintenance, handling, replacement or disposal of the filters may lead to the dispersion of the filtered substances. For general infection-control purposes, special care must be taken to not jar or drop the filter element during or after removal. To ensure that new filters are installed correctly, the replacement instructions must be followed precisely.

Safe Disposal of Used Filters

All filters must be disposed of in accordance with the applicable local laws and regulations. If potentially harmful or dangerous substances have been filtered, special disposal of the filter elements may be necessary.

Note: All maintenance and testing procedures must be performed by adequately trained personnel wearing appropriate respiratory protection.

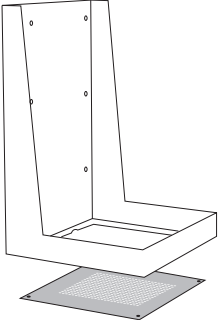
Creation of Positive/Negative Pressure Environments

The installation of the IQAir devices in combination with special IQAir ducting adaptors (InFlow W125 and OutFlow W125) allow for the creation of pressure differences between adjacent environments. These pressure differences help to create directional airflows which can greatly enhance the particle reduction or containment of contaminants within a certain area. With regard to the installation of IQAir ducting adaptors, the following points should be noted:

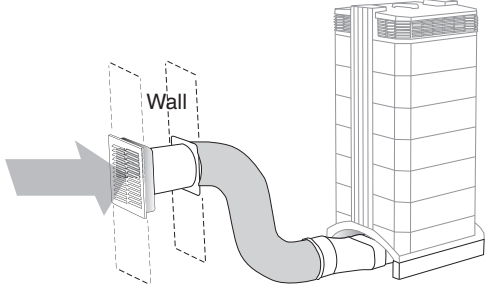
- Proper installation and maintenance of the ducting system are critical for the proper functioning of the system.
- The ducting system and connection to the IQAir device must be checked for damage and leaks at regular intervals.
- The air intake grill of the InFlow/VM InFlow must be inspected and cleaned regularly to avoid blockage of the grill by coarse dust.
- In certain environments (i.e. tuberculosis isolation wards), it is advisable to label the ducts leading to the air cleaner with the words "Contaminated Air" or a similar warning.

Chapter 9 – IQAir® Accessories (Optional)

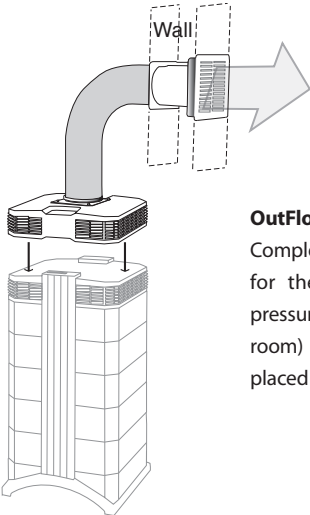
IQAir® advanced air cleaning systems can be complimented with a range of special IQAir® accessories. Ask your authorized IQAir® dealer for details.



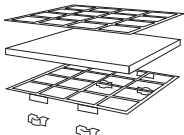
VMF™
Powder-coated stainless-steel wall bracket for the secure wall-mounting of the IQAir® system where floor space is limited.



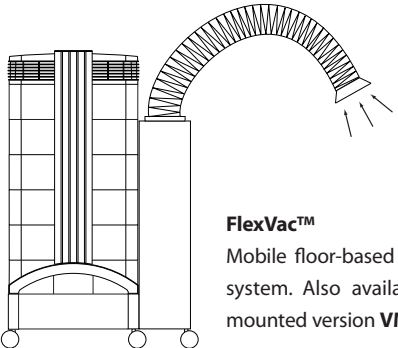
InFlow™
Complete ducting adapter kit for the creation of positive pressure (if placed within the room) and negative pressure (if placed outside the room).



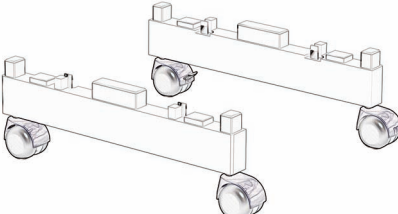
OutFlow™
Complete ducting adapter kit for the creation of negative pressure (if placed within the room) and positive pressure (if placed outside the room).



PF40™
Additional pre-filter for areas with high levels of coarse dust.



FlexVac™
Mobile floor-based source capture system. Also available as a wall-mounted version **VM FlexVac™**.



Mobility 56™
The Mobility 56 kit adds mobility to any IQAir® system. It also optimizes air circulation patterns in any environment by raising the filtration unit's air intake by 4.25" inches off the ground. Not compatible with the FlexVac and VM FlexVac accessories.