



10 Quart / 1.5 HP Backpack Vacuum

Safety, Operation and Maintenance Manual with Parts List



Important Information and Safety Instructions
PLEASE READ BEFORE USE!



10 Quart / 1.5 HP Backpack Vacuum

TABLE OF CONTENTS

Safety Instructions.....	2
Grounding Instructions.....	4
Operation and Assembly Instructions.....	5
Trouble Shooting Guide.....	7
Warranty.....	8
Schematic Drawing.....	9
Replacement Parts List.....	10

IMPORTANT SAFETY INSTRUCTIONS

PLEASE READ CAREFULLY BEFORE OPERATING

Read this manual completely before operating. It is important to follow instructions in this manual to prevent the possibility of injury or damage to the user and/or machine.

This Hoover vacuum will afford you many years of trouble free operating satisfaction, provided it is given the proper care. All parts have passed rigid quality control standards prior to their being assembled to produce the finished product. Prior to packaging, your backpack vacuum was again inspected for assurance of flawless assembly.

This Backpack vacuum is protectively packed to prevent damage in shipment. We recommend that upon delivery, unpack the unit and inspect it for any possible damage. Only a visual inspection will reveal damage that may have occurred.

If damage is discovered, immediately notify the transportation company that delivered your vacuum. As a shipper, we are unable to report any claim for damage. You must originate any claim within 5 days.

This manual is for your protection and information. Please read carefully since failure to follow precautions could result in discomfort or injury.

SAFETY INSTRUCTIONS

WARNING: TO REDUCE THE RISK OF FIRE, ELECTRIC SHOCK OR INJURY: DO NO USE ON WET SURFACES. DO NOT EXPOSE TO RAIN. STORE INDOORS.

When using this backpack vacuum, precautions should always be followed, including the following:

1. Do not leave the vacuum when plugged in. Unplug from the outlet when not in use and before servicing.
2. DO NOT vacuum up any liquids. This vacuum is for dry use only! To avoid electric shock, DO NOT expose to rain. Store indoors. DO NOT use on wet surfaces.
3. This is NOT a toy. Close attention is necessary when used around or near children.
4. Use only as described in this safety manual. Use only manufactures recommended attachments and accessories and replacement parts/filters.
5. DO NOT use this backpack vacuum with damaged cord or plug. Id the vacuum is not working as it should, because it has been dropped, damaged, left outdoors or dropped into water, contact an authorized service center or factory.
6. DO NOT pull or carry by the cord, use cord as a handle, close a door on the cord, or pull cord around sharp edges or corners. Keep cord away from heated surfaces.
7. DO NOT unplug the vacuum by pulling the cord. To unplug, grasp the plug , not the cord.

SAFETY INSTRUCTIONS CONTINUED

8. DO NOT handle the plug of the vacuum with wet hands.
9. DO NOT put objects into openings. DO NOT use with any opening blocked. Keep free of dust, lint, hair and anything that may reduce air flow.
10. Keep hair, loose clothing, fingers, and all body parts away from opening and moving parts.
11. DO NOT pick up anything that is burning or smoking such as cigarettes, matches, or hot ashes.
12. DO NOT use without the proper cloth filtration bag, paper filter bag and other filters in place.
13. DO NOT use the vacuum to pick up flammable or combustible liquids such as gasoline or use in areas where they may be present.
14. Use extra care when cleaning on stairs.
15. DO NOT use where oxygen or anesthetic are used.
16. Turn off all controls before unplugging. Make sure the on/off switch is in the off position.
17. The extension cord provided with this unit is 50 feet 16/3 gauge wire and MUST be used with this unit to ensure grounding protection.
18. Replace damaged or worn parts immediately with genuine original equipment parts to maintain safety and to protect your limited warranty.
19. DO NOT lubricate the motor.
20. DO NOT tie extension cord to pigtail cord. This will damage the cord and will not be covered under warranty.
21. DO NOT overstretch the safety power cord between the vacuum and the electrical outlet in the wall.
22. DO NOT use without all filters correctly secured in place.
23. When using the model with a power head tool and connection, always turn off the vacuum and nozzle tool before connecting or disconnecting either the hose or power nozzle. Depending on your vacuum model, the hose may contain electrical wires. Do not use when damaged, cut or punctured.

Always turn OFF the vacuum before connecting, disconnecting or working on the vacuum. This vacuum must be connected to a properly grounded outlet only. (See grounding instructions).



10 Quart / 1.5 HP Backpack Vacuum

GROUNDING INSTRUCTIONS

DANGER: IMPROPER USE OF THE GROUNDING PLUS CAN RESULT IN A RISK OF ELECTRIC SHOCK.

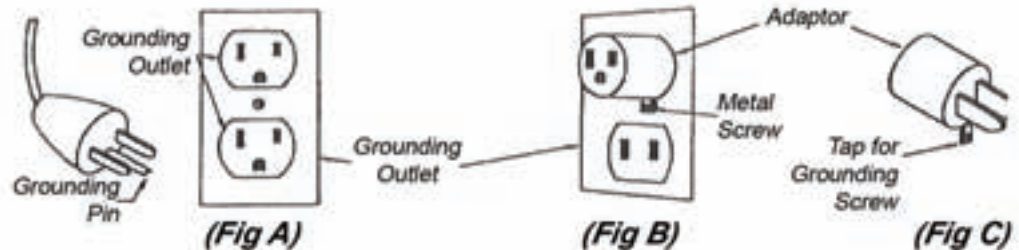
Electrical equipment must be grounded. If it should malfunction or breakdown, grounding provides a path of least resistance for electrical current to reduce the risk of electric shock. The vacuum is equipped with a cord containing a grounding conductor and grounding plug. The plug must be inserted into an appropriate outlet that is properly installed and grounded in accordance with all local codes and ordinances.

If repair or replacement of the cord or plug is necessary. **DO NOT** connect the grounded wire to a flat bed terminal. The wire with insulation having an outer surface that is green with or without yellow stripes is the grounding wire.

GROUNDING METHODS

This electric equipment is for use on a normal 120 volt circuit. It has a grounded plug that looks like the plug illustrated in (Fig A). A temporary adapter that looks like the adapter illustrated in (Fig B & C) may be used to connect this plug into a 2-pole receptacle as shown in (Fig B) if a properly grounded outlet is not available.

The temporary adapter should be used only until a properly grounded outlet (Fig A) can be installed by a qualified electrician. The green color rigid ear lug or the like extending from the adapter must be connected to a permanent ground such as a properly grounded outlet box cover. Whenever the adapter is used, it must be held in place by a metal screw.



WARNING:

Improper connection of the equipment grounding conductor can result in a risk of electric shock. Check with a qualified electrician or service person if you are in doubt as to whether the outlet is properly grounded. **DO NOT** modify the plug provided with the equipment. If it will not fit into the outlet, have a proper outlet installed by a qualified electrician.

Note: In Canada, the use of a temporary adapter is not permitted by the Canadian Electrical Code.

CARE OF YOUR VACUUM CLEANER

Treat your vacuum cleaner as you would any other high grade precision made product. Dropping, unreasonable bumping across thresholds and other misuses may result in a damaged unit which will not be covered under warranty.

When not in use the power cord should be wrapped around the molded-in cord wrap for storage. After each use, wipe the vacuum body, accessories and power cord with a slightly damp cloth.



10 Quart / 1.5 HP Backpack Vacuum

OPERATION & ASSEMBLY INSTRUCTIONS

PREPARATION AND OPERATION - DRY ONLY!

This vacuum is equipped with a air-thru motor and is designed for dry pickup only. Unpack the carton and remove the vacuum and attachments (if purchased with Tools).

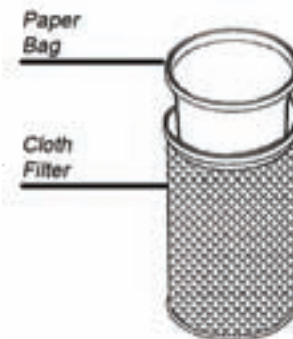
GETTING STARTED:

1. Make sure your on/off switch is in the OFF position.
2. Remove lid and check to make sure you have both a cloth filter bag and paper filter bag in place. Secure lid back onto vacuum body tightening securely. Both bags must be used at all times. Any damage resulting from the lack of using both bags will not be covered under warranty.
3. Thread your safety power cord around the built in cord knob on the side of the backpack (need picture to reference). Do not tie or loop the pigtail cord with the extension cord.
4. Loosen the shoulder and waist belt straps and slide vacuum on.
5. Connect, and tighten waist belt ensuring that majority of the weight is on your hips not your shoulders.
6. Adjust the shoulder straps for comfort.
7. Connect the sternum straps for added support and ideal fit.
8. Plug your vacuum into a properly installed outlet.
9. Turn unit on and proceed with vacuuming.
10. Always store vacuum , safety power cord and tools in a cool door place indoors.

NOTE: The weight of the vacuum should be distributed on your hips. Adjust any strap as needed for your custom fit.

To Change Paper Filter Bag:

1. Unclip lid latches and lift lid off of the body.
2. Remove full paper bag from the tank and dispose of properly.
3. Take new paper filter bag and set inside cloth filter bag (expanding it to the sides of the cloth filter bag).
4. Reinstall the top cap, clamping the lid latches down tightly.



Cloth Filter Maintenance:

The cloth filter should be inspected and cleaned each time you empty the tank. DO NOT wash the cloth filter. It could case shrinkage or the cloth and damage to the gasket. Simply shake off any dust or loose particles and brush the exposed surface with a soft bristle brush.

CAUTION: Always exercise caution when handling the vacuum. Dropping the vacuum could cause permanent damage to the internal components.



10 Quart / 1.5 HP Backpack Vacuum

OPERATION & ASSEMBLY INSTRUCTIONS CONTINUED

Hepa Models:

When the white disk inside your dome filter is discolored, replace it with a new Hepa Filter with bag support. Replacement time frame of the Hepa filter depends on the frequency and application of use. For best results, replace every 6 months.

IMPORTANT:

Following the instructions above is critical in prolonging the life of your vacuum. All filters must be used at all times.

The backpack comes assembled you will need to install the hose to the wand, and the wand to the attachment.

ASSEMBLY OF ATTACHMENTS:

Wand Assembly (For 2-piece Wand Only):

- Align the button lock of the upper wand section with the opening for button lock on the lower wand section.
- Push the sections together until the button lock slides into place and the lock is secured.

To Connect Wand to Hose:

- Connect the tapered end of the wand to the swivel cuff at the end of the hose.



To Connect Wand to Attachments:

- Turn wand nut counterclockwise approximately four complete turns.
- Insert the tool into wand and coupling.
- While holding the tool in place, turn nut clockwise until wand nut is fully locked.





10 Quart / 1.5 HP Backpack Vacuum

TROUBLE SHOOTING GUIDE

CAUTION: Always disconnect power cord before servicing vacuum.

WARNING: Repairs should only be performed by an authorized service center.

PROBLEM: Loss of Vacuum

CAUSE	SOLUTION
Cap is Damaged	Inspect and replace if needed
Faulty vacuum motor	Call manufacturer or service center
Full paper bag filter	Replace paper filter bag
Clogged hose or wand	Remove obstruction
Loose or broken fan	Call manufacturer or service center

PROBLEM: Motor is not running

CAUSE	SOLUTION
Faulty on/off switch	Call manufacturer or service center
Power cord defective	Call manufacturer or service center
Loose connection or wiring	Call manufacturer or service center
Motor defective	Call manufacturer or service center
Blown fuse or tripped circuit breaker	Replace fuse or reset circuit breaker

PROBLEM: Dust blowing from vacuum when running

CAUSE	SOLUTION
Full paper bag	Replace filter bag
Paper filter bag not installed properly	Reinstall or replace paper filter bag properly
Cloth filter bag is dirty	Clean cloth filter bag
Cloth or paper filter bag is torn	Replace



10 Quart / 1.5 HP Backpack Vacuum

WARRANTY:

Lifetime on polyethylene plastic body, 5 years on motor and all electrical and 1 year on tools.

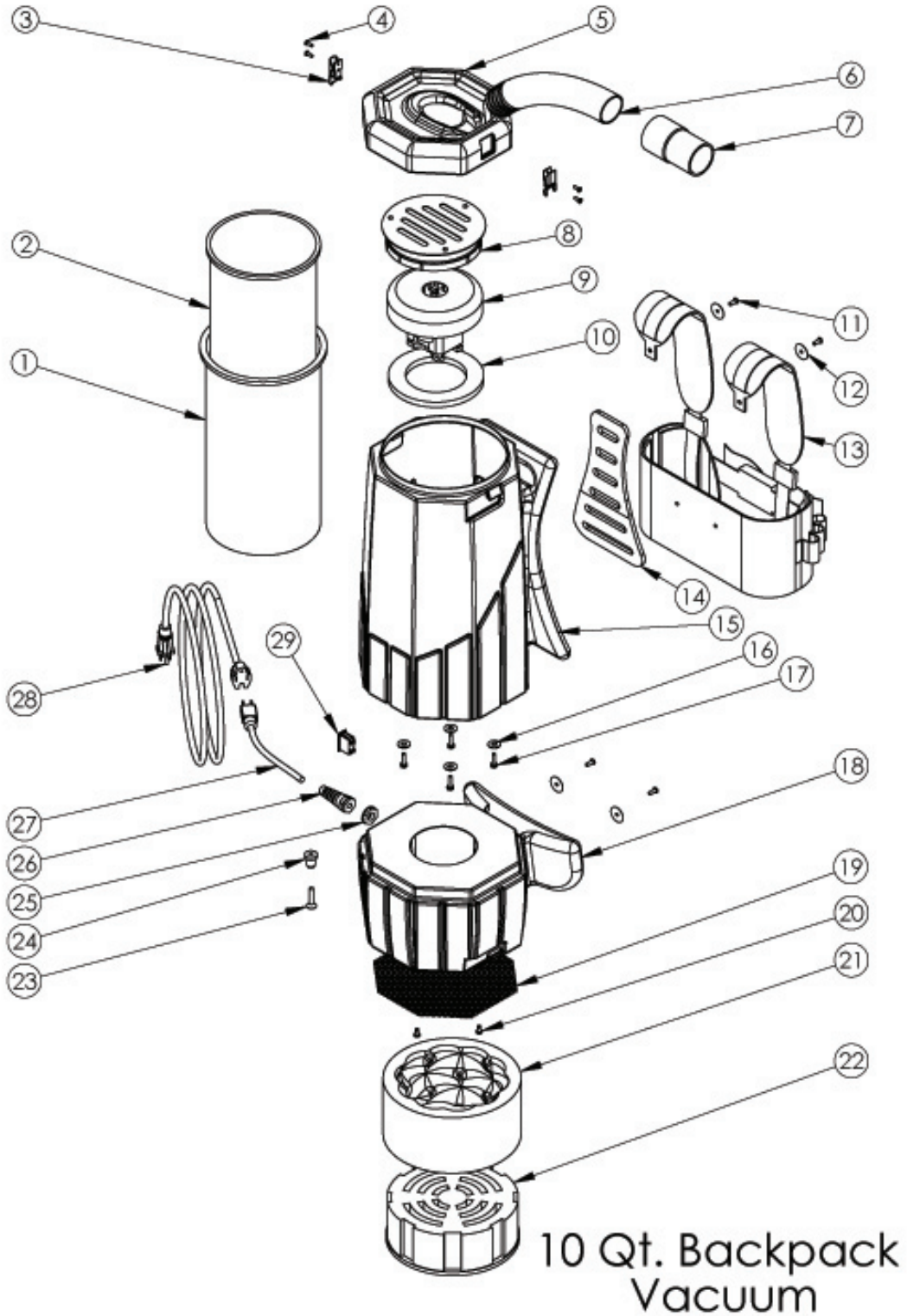
All equipment is inspected and tested before shipping from the manufacture. All parts are warranted to be new and free from defects in workmanship and material, under normal use to the original retail purchaser. This warranty limits manufacture's liability for defects in workmanship or materials to replacement of defective parts only. Manufacture accepts no liability for incidental or consequential damages arisen from the use of any equipment, defective or not. This warranty is in lieu of all expressed or implied warranties and is extended only to the original retail purchaser. Manufacture sales and service representatives are not authorized to waive or alter the terms of this warranty, or to increase the obligations of the manufacture under the warranty. Parts replaced or repaired under this warrant are warranted for the remainder of the original warranty period.



GROUND COMMAND™

10 Quart / 1.5 HP Backpack Vacuum

SCHEMATIC DRAWING





10 Quart / 1.5 HP Backpack Vacuum

REPLACEMENT PARTS LIST

Drawing #	Item ID	Item Description	Qty Used
1	10-0007-10	10qt. Cloth Bag for Backpack	1.00
2	10-0006	10qt. Paper Bags/ 10 pack	0.10
3	10-0004	Lid Rivet	4.00
4	10-0003	Lid Latch	2.00
5	BP-10-L-ORA-1	10qt Backpack Lid Orange	1.00
6	10-0024	1 1/2" Black Vacuum Hose	4.00
7	10-0195	Swivel Cuff	1.00
8	10-0008-B	Dome Filter w/ Bag Support	1.00
9	10-0012	XP-3 Whisper Motor	1.00
10	10-0199	Vacuum Motor Gasket	1.00
11	10-0022	Shoulder & Waist Belt Screw	4.00
12	10-0023	Shoulder & Waist Belt Washer	4.00
13	10-0021	Shoulder & Waist Belt	1.00
14	10-0020	Cushioned Back Pad	1.00
15	BP-10-T-BLK	10qt Backpack Tank Black	1.00
16	10-0015	1/4" Flat Washer	4.00
17	10-0014	Motor Screw	4.00
18	BP-10-B-BLK	10qt Backpack Bottom Black	1.00
19	10-0016-10	10 qt. Deflector Plate	1.00
20	10-0017	Deflector Screw	3.00
21	10-0018	Sound Dampening Band	1.00
22	10-0019	10qt. Dual Cell Noise Filter	1.00
23	10-0070	Screw for Well Nut	1.00
24	10-0069	Well Nut for Cord Lock	1.00
25	10-0027-A	Strain Relief Nut	1.00
26	10-0027	Pigtail Strain Relief	1.00
27	10-0026	17" Power Cord	1.00
28	10-0028	50' Electrical Cord	1.00
29	10-0025	On/Off Switch	1.00



Item ID	Item Description	Qty Used
10-0031	5" Upholstery Tool	1.00
10-0032	14" Scalloped Floor Tool	1.00
10-0033	17" Crevice Tool	1.00
10-0037	4" Hosehair Dust Brush	1.00
10-0029	56" 2-piece 2-bend Aluminum Wand	1.00



10 Quart / 1.5 HP Backpack Vacuum

Hoover Inc.

7005 Cochran Road

Glenwillow, OH 44139

(888) 321-1134

For Service, Ask for Tech. Service Dept., ext. 2554

www.hoover.com

Model # _____

Serial # _____

Distributor Name: _____

Distributor Phone #: _____

Date of Purchase: _____

NOTES: