

# COM-PAK BATH

Warmth for every morning



- Quick, efficient warmth for the bathroom
- Built-in thermostat and 60-minute auto-timer
- Painted heating element prevents rust in damp bathroom environments
- Low-profile grill blends with any décor
- Includes high-temperature safety shutoff feature
- Multi-volt and multi-watt options available to match your room size
- Fits same wall can as our popular Com-Pak series, for easy install or replacement of your existing Com-Pak heater

**Say goodbye to chilly mornings with our popular Com-Pak Bath heater. Set the built-in auto-timer to override the thermostat so you can warm your bathroom instantly.**

#### ARCHITECTURAL - ENGINEERING INFORMATION

Fan forced up flow electric air heaters are ETL listed, factory rated at 120V/240V or dual field rated from 208V to 240V. The powder coated wall mounting can is made from 20-gauge sheet metal with six electrical knockouts and a 22 cubic inch wiring compartment. Each heating unit is of unitized construction and attaches to the wall can with a single screw and is self contained and completely separate from the wall mounting can. Elements are tube and plate, painted, with an over-sized 16 amp rating at 240V high temperature manual reset limit switch. A centrifugal blower is driven by an impedance protected motor. The motor is totally isolated from the heating element. Metal grill is of one piece, 20-gauge construction, and finished with a powder coat paint system. All heaters include a built-in single pole thermostat and 60-minute timer. The Com-Pak Bath Heater is not to be used with a wall thermostat. The multi-volt option must be configured for the correct voltage before installing the heater. The multi-watt option must be configured for the desired wattage before installing the heater.

#### TECHNICAL INFORMATION

UL safety standards require the heater to be placed a minimum distance of 6 inches (15.2 cm) from adjacent surfaces and 4-1/2 inches (11.4 cm) from the floor. Cadet recommends a 12-inch clearance from all surfaces for longer and cleaner performance. A 3 foot (91.44 cm) minimum clearance is required for furniture or other objects placed directly in front of heater. Install vertically. This heater is not approved for horizontal or ceiling installation. Electric wall heaters work best when installed on an inside wall. We recommend installing heater assembly after walls are finished. Heater must be cleaned every six months minimum.

**CADET**   
INVITING WARMTH

cadetheat.com  
855.CADET.US  
Vancouver, Washington



# COM-PAK BATH

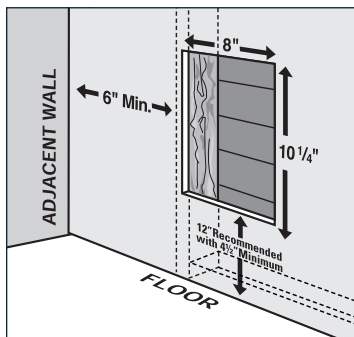
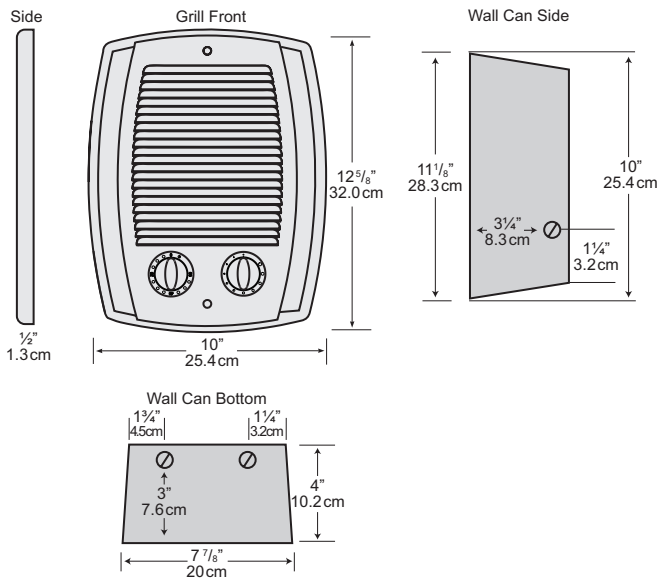
Grill: 10"W x 12-5/8"H x 1/2"D • Rough-in: 8"W x 10-1/4"H x 4"D

Heater assemblies require a wall can and grill kit

PART	MODEL	DESCRIPTION	WATTS	VOLTS	AMPS	BTUS	WT/LBS
65101	CBC103TW	Complete unit with thermostat and timer, wall can and grill,	1000	120/240	8.3/4.2	3415	8
65106	CBC103TCH	multi-volt, white or chrome					
65105	CBC132TW	Complete unit with thermostat and timer, wall can, and grill, multi-watt	500/800/1300 375/600/975	240/208	2.1/3.3/5.4 1.8/2.9/4.5	1710/2730/4440 1280/2050/3300	8
65103	CB103T	Heater assembly with thermostat and timer, multi-volt	1000	120/240	8.3/4.2	3415	4.7
65104	CB132T	Heater assembly with thermostat and timer, multi-watt	500/800/1300 375/600/975	240/208	2.1/3.3/5.4 1.8/2.9/4.7	1710/2730/4440 1280/2050/3300	4.7

## WALL HEATER ACCESSORIES (MODEL CB)

PART	MODEL	DESCRIPTION	WT/LBS
65110	CBGW	Vertical grill kit for model CB, single or 5-pack, white	1.5
65150	CBGW5		7
67061	CC	Wall can for model CB, single or 10-pack	2.8
67060	CC10		22.5
67105	CAMW	Adapter plate for model CB, 18-1/2"w x 22"h, white or almond	3.5
67100	CAMA		
67115	SAMW	Adapter plate for model CB 12"w x 21-1/4"h, white or almond	2
67110	SAMA		



ROUGH-IN: 8"W x 10-1/4"H x 4"D