



BEAR POWER™ DRYER

Model # BPD-2

Owners Manual



1. Before grooming

Be careful not to blow air into the pet's face, ears and nose. Use the cone nozzle to blow out dirt and undercoat and separate matted hair.

2. After bathing

Towel dry the pet to remove excess water. Use the cone nozzle to blow off moisture working out from the skin. Switch to one of other attachments to dry the more sensitive areas.

The **BPD-2** produces just enough heat to speed up the drying process with no danger to the pet. You can also use the **BPD-2** to fluff up the pet's coat and give it a quality finished look.

DO'S

Clean the **BPD-2** filter every two months by unsnapping the green cover at the back of the unit and washing the foam filter in a soapy water solution. Rinse completely and after thoroughly dry, replace it into the dryer. Use the same washing and drying method to clean the attachments.

Always make sure the BPD-2 is unplugged before any cleaning / maintenance.

DON'TS

DO NOT immerse the **BPD-2** in water. Exposure to water will result in electric shock.

DO NOT alter or remove the grounding plug. Do not use the **BPD-2** if it cannot be properly grounded, and if electric cord is frayed or shows any sign of wear.

DO NOT place the **BPD-2** in standing or running water. Exposure to water will result in electric shock.

DO NOT let the air intakes get clogged. Overheating could occur and cause fire or electrical hazard. Never use without filter in place.

DO NOT leave the **BPD-2** unattended when turned on.

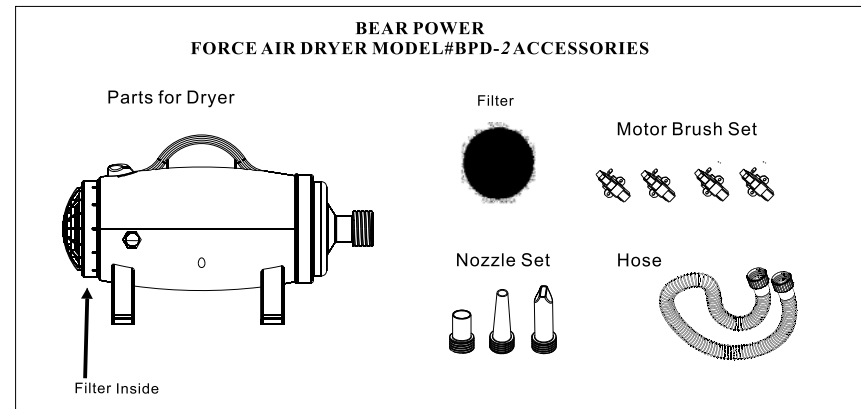
DO NOT run for long periods of time on low speed.

FAILURE TO OBSERVE DON'TS MAY VOID THE WARRANTY *

Regular Maintenance (Failure to observe the following regular maintenance will void the warranty)

- Cleaning of the filter every 2 months (see figure 1) We recommend replacing the filter every 6 months.
- Replace the brushes every 4 to 6 months (see figure 2)

Figure 1



CUT ON LINE



BEAR POWER™ DRYER

Model # BPD-2

Warranty Registration

Name _____

Date _____

Address _____

Purchased From _____

City/State/Zip _____

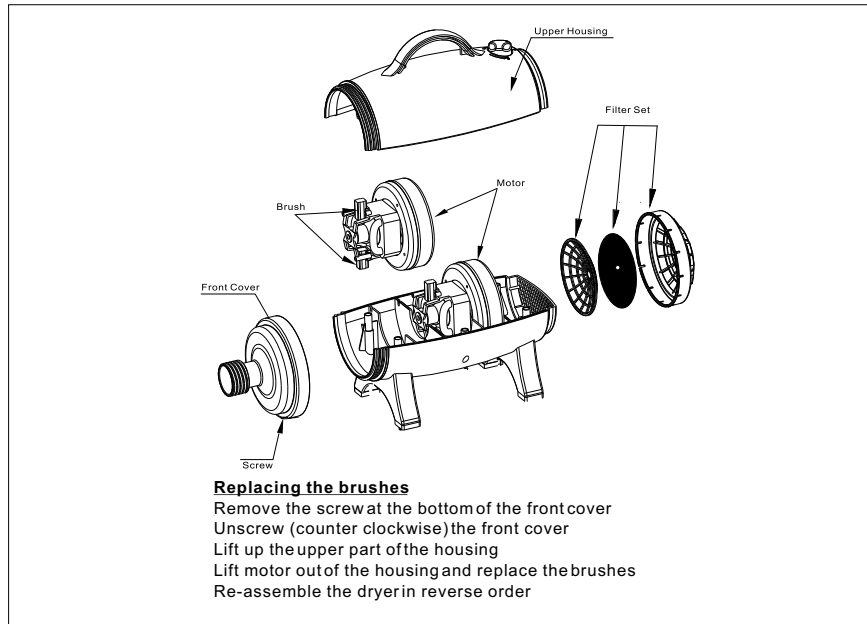
Model _____

Serial # _____

Mail to:

B-Air Dryer 1851 Tyburn St. Glendale, CA 91204

Figure 2



****Warranty***

- ***1 year limited warranty on Dryer. (Proof of purchase required)***
- ***Warranty does not apply to:***
- ***Normal wear of parts.***
- ***Improper use including; Altered dryer, Dropped, use of wrong voltage, Improper maintenance, General abuse.***
- ***Return freight charges are paid by the customer.***
- ***Defective dryer will be repaired / replaced at our option at no charge.***

Service: Call 1-877-800-BAIR



BEAR POWER™ DRYER

Model # BPD-2

Specifications

- ***Powerful double motor design***
- ***Step less speed control switch with variable temperature on demand***
- ***4HP***
- ***Powerful 40000 f***
- ***10 FT Cord***
- ***High impact ABS construction***
- ***10 foot hose with 3 separate nozzles***
- ***Insulated for quiet operation***
- ***Light weight (14.33lbs)***
- ***Easy filter replacement***
- ***Washable filter***
- ***Easy carrying handle***
- ***Rubberized feet for stability***

Contact us

B-Air Dryers
1851 Tyburn St.
Glendale, CA 91204
1-877-800-BAIR
Fax: 1-818-242-243
E-mail: info@b-air.com
www.b-air.com